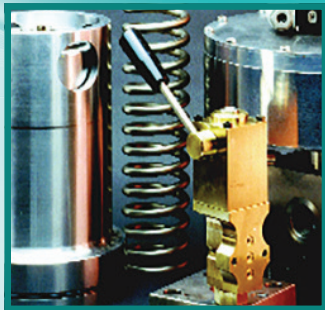


HL HYDRAULIC / PRODUCT LINE CARD

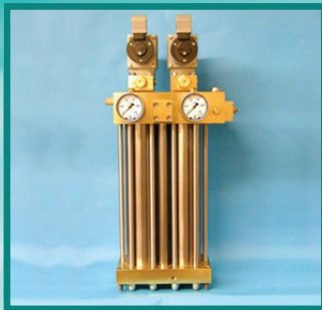


SCHRUPP WATER HYDRAULIC VALVES & SYSTEMS

Schrupp high pressure water hydraulic control valves are available with pressures to 800 bar, sizes ½ inch through 10 inch, designed in accordance with DIN 24342 international dimensions.

Schrupp water hydraulic valves are used in high pressure water hydraulic and descaling systems for steel industry bar mills, beam mills, tube & pipe mills, plate mills, and hot strip mills.

Schrupp valves are used in offshore and subsea hydraulic systems, in the mining industry, and anywhere that water hydraulics can be applied.



SCHRUPP HIGH PRESSURE PNEUMATIC VALVES & SYSTEMS

Schrupp high pressure pneumatic control valves and systems are used in the electrical power industry for pneumatically driven high voltage switch gear, for high pressure breathing air in diving and rescue systems, and for laboratories and industrial processes with a need for continuous high quality in the compressed air supply.

The Schrupp program includes complete high pressure pneumatic systems and complete high pressure compressor stations.

Schrupp high pressure pneumatic components and systems are available with pressures up to 350 bar and dew points below -50°C can be realized.



GPM CONTROLS, LLC. OUR ACCUMULATOR PARTNER

HL Hydraulic, Inc. works together with our partners at GPM Controls, LLC. to market the Schrupp bladder accumulator products, Roth Hydraulics piston accumulators and Fox diaphragm accumulators.

Roth manufactures a complete range of CE and ASME coded and stamped piston type accumulators from 1 liter to 400 gallons, with larger sizes available, and pressures up to 17,400 PSI.

Schrupp bladder type accumulators are available in 3000/4000 and 5000/6000 psi versions, both top and bottom repairable.

Fox manufactures a complete line of repairable and non-repairable diaphragm type accumulators.



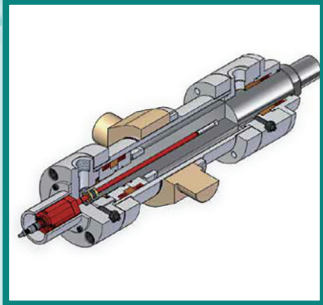
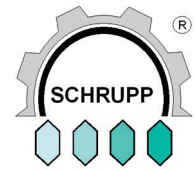
HAMMELMANN RECIPROCATING PUMPS

Hammelmann manufactures a complete range of reciprocating plunger pumps with power ratings to 1,000 horsepower. These high pressure pumps are built to operate at the continuous maximum duty stated in the performance parameters of each individual pump, and are available in triplex and quintuplex design.

They are mounted vertically to use minimal space and provide optimum alignment of plungers, sleeves, and valves. Cylinders are hermetically sealed via a "bellows" that does not see high pressure.

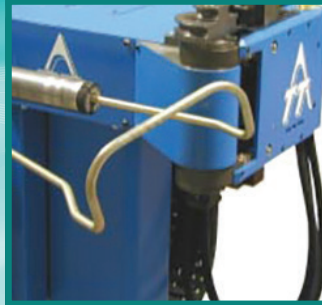
Internal gear reduction allows them to be close-coupled directly to the electrical motor or other drive element. A standard forged stainless steel high pressure fluid end is designed so that there is no stress reversal which can cause fatigue cracks.

HL HYDRAULIC / PRODUCT LINE CARD



STERN HYDRAULIC CYLINDERS

Stern manufactures a full line of ISO, tie rod, mill type and welded constructions cylinders, rotary actuators, servo cylinders, and rotating distributors for heavy duty industrial applications with standard 160, 250, and 350 bar designs and special designs according to our customer's requirements. Stern cylinders are accepted by the major manufacturers of hydro-electric, steel mill and wind power machinery among others.



TRACTO-TECHNIK TUBE & PIPE BENDING & FORMING MACHINES

Tracto-Technik provides innovative machine technology & intelligent software solutions for efficient tube & pipe fabrication. The "Tube Fabricating Technology" division develops and produces bending and fabricating machines for tubes & pipes as well as system and software solutions for the piping industry.

The product range includes:

- CNC Tube Bending Machines
- Tube Measuring Systems
- 1-axis-controlled & semi-automatic Tube Bending Machines
- System Solution for Automated Fabrication of Template Pipes
- Bending & Assembling Machines for Hydraulic Tubing
- Software Solutions for Piping
- Ram Bending Machines



SAUER HIGH PRESSURE COMPRESSORS

Sauer Compressors USA Inc. specializes in the manufacture of high- pressure air and gas compressors (HPAC) for industrial, offshore and naval applications.

The Sauer product range includes:

- 2-stage air-cooled medium-pressure compressors up to 20 HP and 600 psi
- 3-stage air-cooled medium-pressure compressors up to 80 HP and 600 psi
- 3- and 4-stage air-cooled high-pressure compressors up to 35 HP and 6000 psi
- 3- and 4-stage air-cooled high-pressure compressors up to 65 HP and 5000 psi
- 2-stage water-cooled medium-pressure compressors up to 100 HP and 450 psi
- 4-stage water-cooled high-pressure compressors up to 75 HP and 5000 psi



MINIPRESS TEST POINTS, HOSE ASSEMBLIES, AND DIAGNOSTIC EQUIPMENT

MiniPress manufactures a complete line of leak free hydraulic test points, hose assemblies, and hydraulic system diagnostic equipment